

## OLETTE, 12-LIGHT 36" INTEGRATED LED CHANDELIER



### PRODUCT DETAILS

|                         |   |           |
|-------------------------|---|-----------|
| No.                     | : | 49011-012 |
| Product Color           | : | GOLD      |
| Product Material        | : | STEEL     |
| Shade / Accent Colour   | : | ACRYLIC   |
| Shade / Accent Material | : | ACRYLIC   |
| Diameter                | : | 36"       |
| Height                  | : | 22"       |
| Weight                  | : | 29.9LBS   |

### LIGHT SOURCE DETAILS

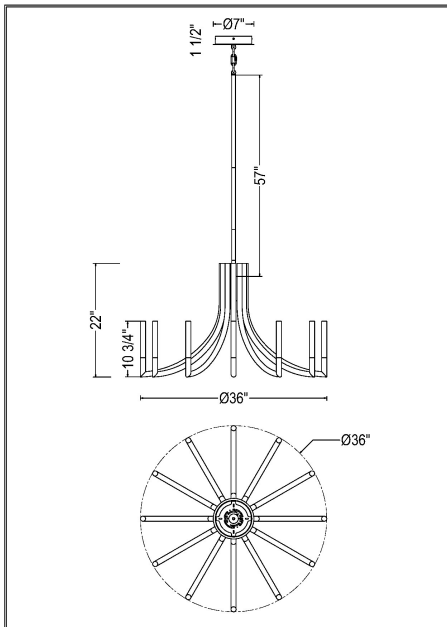
|                   |   |                |
|-------------------|---|----------------|
| Number of Bulbs   | : | 12             |
| Light Source      | : | LED            |
| Light Source Type | : | INTEGRATED LED |
| Input Voltage     | : | 120V           |
| Bulb Voltage      | : | 36V            |
| Wattage           | : | 12 X 3.34W     |
| Total Wattage     | : | 40W            |
| Delivered Lumens  | : | 1933LM         |
| Kelvin            | : | 3000K          |
| CRI               | : | 90             |
| Bulb Included     | : | YES            |
| Dimmable          | : | YES            |

### OPTIONS AVAILABLE

| ITEM NO.  | FINISH                | SHADE |
|-----------|-----------------------|-------|
| 49011-012 | <b>GOLD</b>           |       |
| 49011-029 | <b>BRUSHED NICKEL</b> |       |
| 49011-036 | <b>MATTE BLACK</b>    |       |

### TECHNICAL DETAILS

|                      |   |                          |
|----------------------|---|--------------------------|
| Hanging Support Type | : | ROD                      |
| Approval             | : | <input type="checkbox"/> |
| Beam Angle           | : | 360                      |



### PROJECT INFORMATION

 Job Name:       Date:       Type: 

 Comments: