

TEL 905.695.2055 toll free 1.800.660.5391  
FAX 905.695.2056 toll free 1.800.660.5390

33 West Beaver Creek Road Richmond Hill, Ontario Canada L4B 1L8

## CADOUX, 30IN INTEGRATED LED PENDANT CHANDELIER



### PRODUCT DETAILS

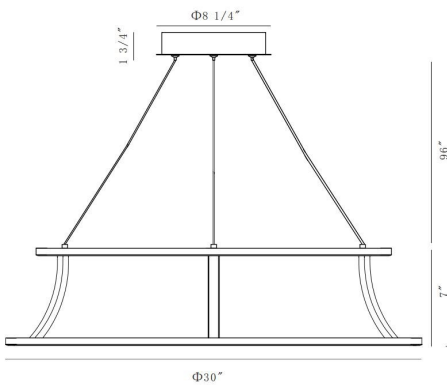
No. : 43886-012  
Product Color : MATTE BLACK  
Shade / Accent Colour : WHITE  
Shade / Accent Material : ACRYLIC  
Diameter : 30"  
Height : 7"  
Weight : 7.2LBS

### LIGHT SOURCE DETAILS

Number of Bulbs : 2  
Light Source : LED  
Light Source Type : INTEGRATED LED  
Input Voltage : 120V  
Bulb Voltage : 24V  
Socket Type : INTEGRATED  
Wattage : 2 X 88W  
Total Wattage : 88W  
Delivered Lumens : 3200LM  
Kelvin : 3000K  
CRI : 90  
Bulb Included : YES  
Dimmable : YES

### OPTIONS AVAILABLE

ITEM NO.	FINISH	SHADE
43886-012	MATTE BLACK	



### TECHNICAL DETAILS

Hanging Support Type : WIRE  
Canopy / Backplate Height : 1.75"  
Canopy / Backplate Dia. : 8.25"  
IP Rating : IP22  
Location : DRY  
Beam Angle : 360

### PROJECT INFORMATION

Job Name:  Date:  Type:

Comments: