

## UMURA, 2-LIGHT CHANDELIER



### PRODUCT DETAILS

|               |   |           |
|---------------|---|-----------|
| No.           | : | 43866-014 |
| Product Color | : | BLACK     |
| Length        | : | 49"       |
| Width         | : | 8"        |
| Height        | : | 3.5"      |

### LIGHT SOURCE DETAILS

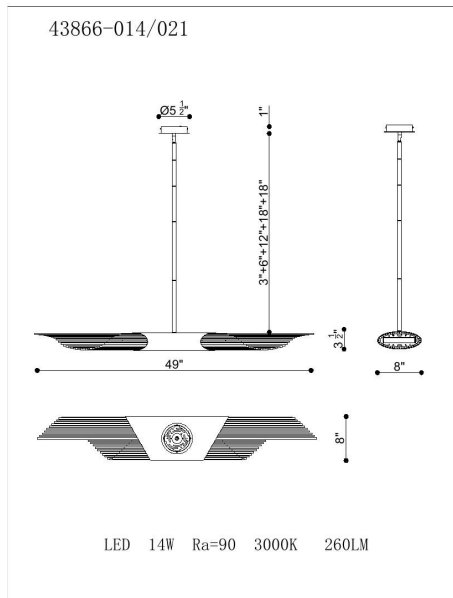
|                   |   |                |
|-------------------|---|----------------|
| Light Source Type | : | INTEGRATED LED |
| Input Voltage     | : | 120V           |
| Bulb Voltage      | : | 120V           |
| Socket Type       | : | LED            |
| Total Wattage     | : | 12W            |
| Delivered Lumens  | : | 260LM          |
| Kelvin            | : | 3000K          |
| CRI               | : | 90+            |
| Dimmable          | : | YES            |

### OPTIONS AVAILABLE

| ITEM NO.  | FINISH | SHADE |
|-----------|--------|-------|
| 43866-014 | BLACK  |       |
| 43866-021 | GOLD   |       |

### TECHNICAL DETAILS

|                           |   |      |
|---------------------------|---|------|
| Hanging Support Type      | : | ROD  |
| Hanging Support Length    | : | 72"  |
| Canopy / Backplate Height | : | 1"   |
| Canopy / Backplate Dia.   | : | 5.5" |
| Location                  | : | DRY  |
| Title 24                  | : | YES  |



### PROJECT INFORMATION

Job Name:  Date:  Type:

Comments: